

Ormig 10tmE

10,000 kg Capacity

Electric Pick & Carry Crane



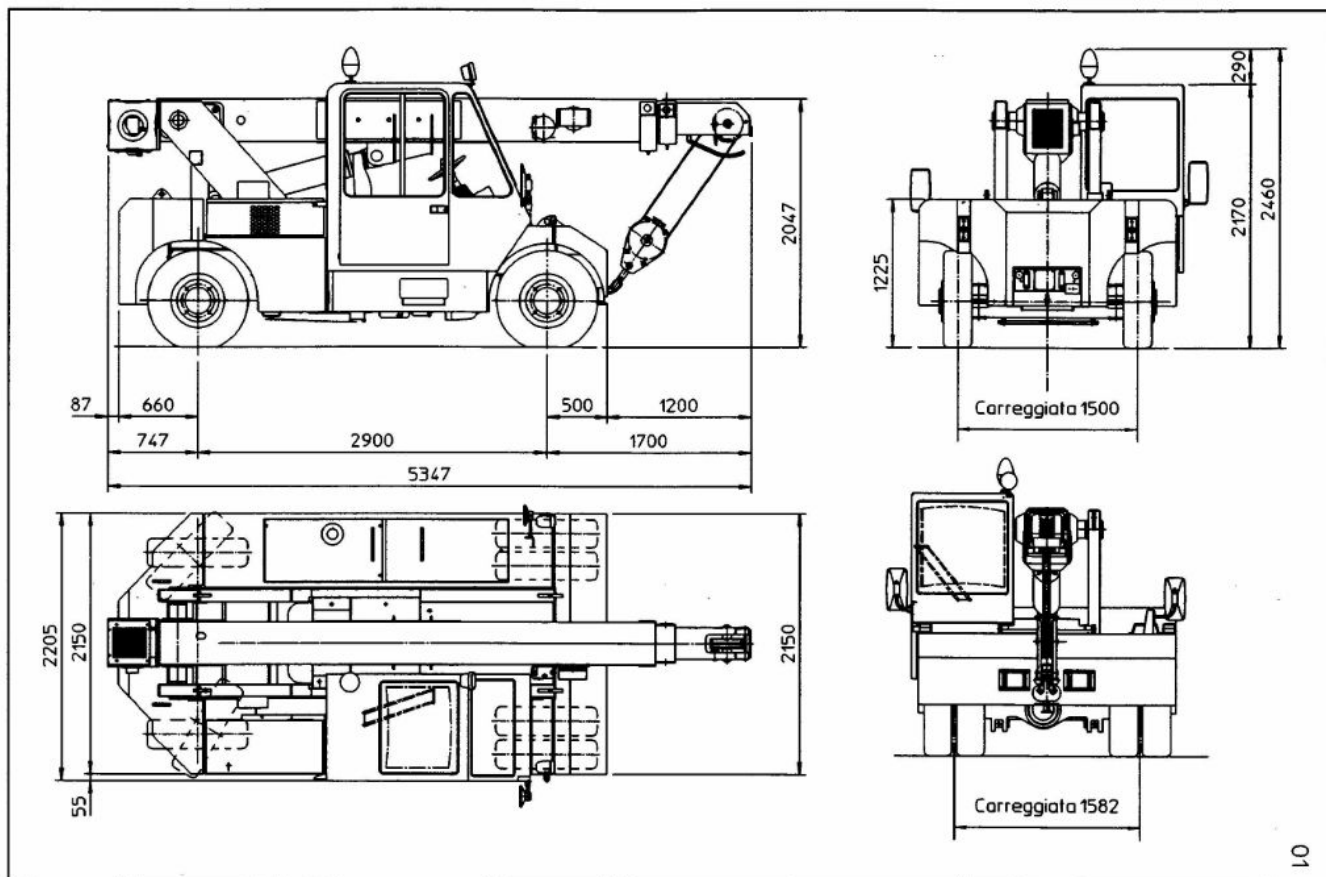
MAKE & MODEL	Ormig 10tmE
MAX CAPACITY	10te (10,000 kg)
TYPE	Pick and Carry Crane
POWER	Electric
TYRES	Non-marking
OPTIONAL EXTRAS	Fly jib
WEIGHT	11.4te (11,400kg)

Ormig 10tmE

10,000 kg Capacity

Electric Pick & Carry Crane

Dimensions



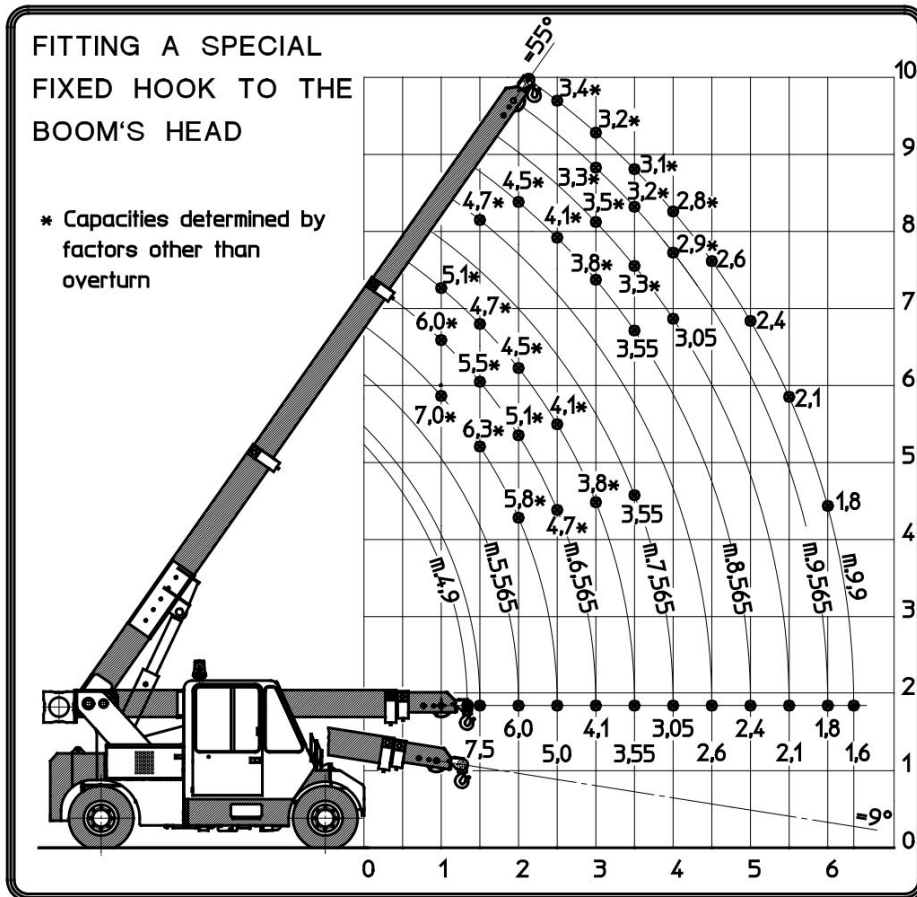
HEIGHT	2.46m (2,460 mm) – light can be removed to reduce to 2,170mm
LENGTH	5.35m (5,347 mm)
WIDTH	2.21m (2,205 mm)
TURNING RADIUS	4.4m (4,400 mm)
WEIGHT	11.4te (11,400kg)

Ormig 10tmE

10,000 kg Capacity

Electric Pick & Carry Crane

Capacities



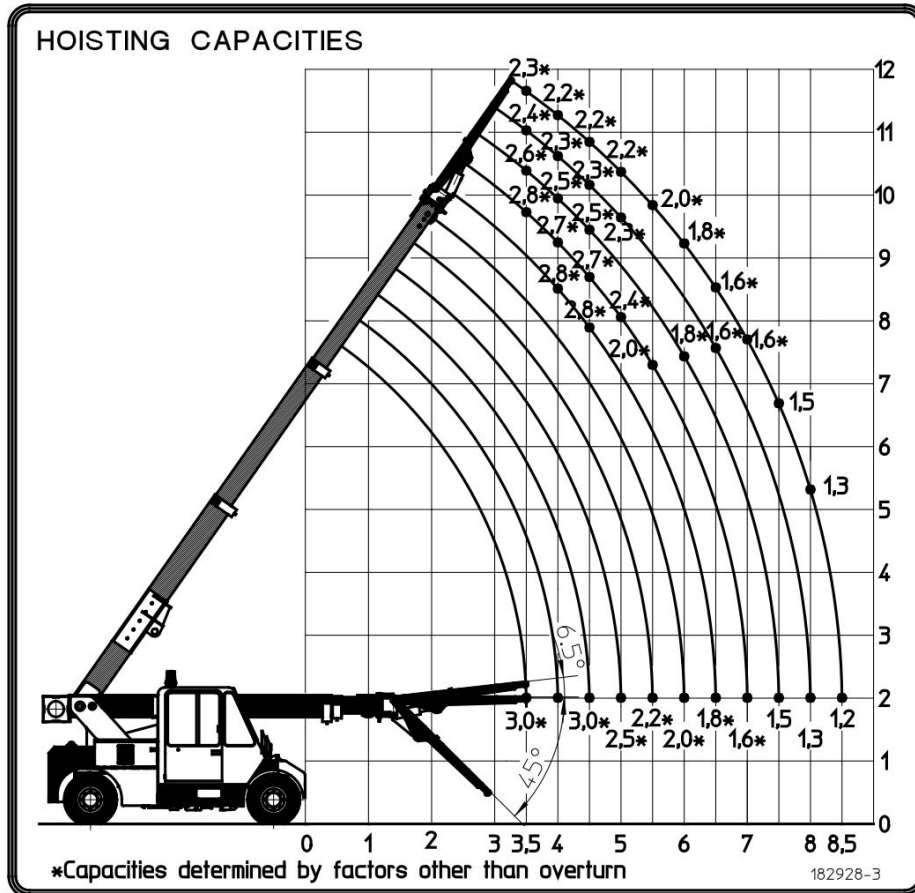
MAX CAPACITY	10.0te (10,000 kg)
MAX BOOM EXTENSION	6.33m (6330 mm)
MAX BOOM ANGLE	55°
MIN BOOM ANGLE	-9°
OPTIONAL EXTRAS	Fly jib

Ormig 10tmE

10,000 kg Capacity

Electric Pick & Carry Crane

Capacities



MAX CAPACITY	2.8te (2,800 kg)
MAX BOOM EXTENSION	8.5m (8500 mm)
MAX FLY JIB ANGLE	45°
MIN FLY JIB ANGLE	-6.5°
OPTIONAL EXTRAS	Fly jib

Ormig 10tmE

10,000 kg Capacity

Electric Pick & Carry Crane

Features

MAKE & MODEL	Ormig 10tmE
MAX CAPACITY	10.0te (10,000 kg)
TYPE	Pick and Carry Crane
POWER	Electric
TYRES	Non-marking
OPTIONAL EXTRAS	Fly jib
CHASSIS	6 wheels structure made in high quality steel, with internal counterweights
FRONT WHEELS	Front: 4no superelastic wheels
REAR WHEEL	Rear: 2no superelastic wheels
TRACTION	Electric, continuous current with 24kW power, 80V
HYDRAULIC SYSTEM	Powered by a one-section 22cc electric pump with 280 bar pressure
BRAKES	Service brake and hydraulic parking brake acting on front wheels
STEERING	Rear steering by hydraulic motor
BOOM CONTROL	By electro-hydraulic joystick inside the cabin
DRIVE CONTROL	By pedals and steering wheel inside the cabin