

Valla 75E

7,500 kg Capacity

Electric Pick & Carry Crane



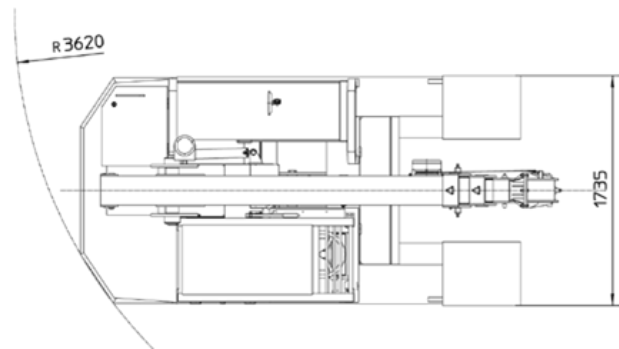
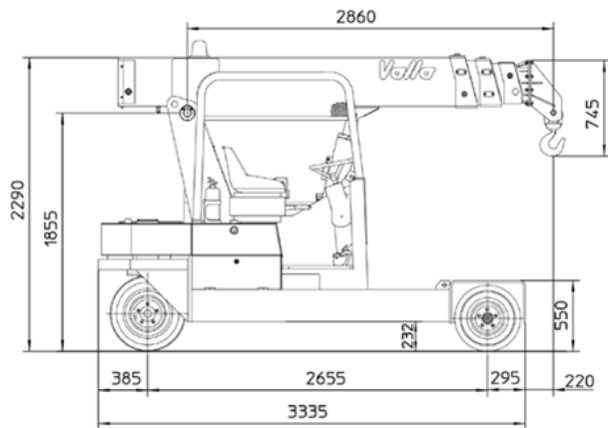
MAKE & MODEL	Valla 75E
MAX CAPACITY	7.5te (7,500 kg)
TYPE	Pick and Carry Crane
POWER	Electric
TYRES	Non-marking
OPTIONAL EXTRAS	Winch
WEIGHT	6.1te (6,100kg)

Valla 75E

7,500 kg Capacity

Electric Pick & Carry Crane

Dimensions



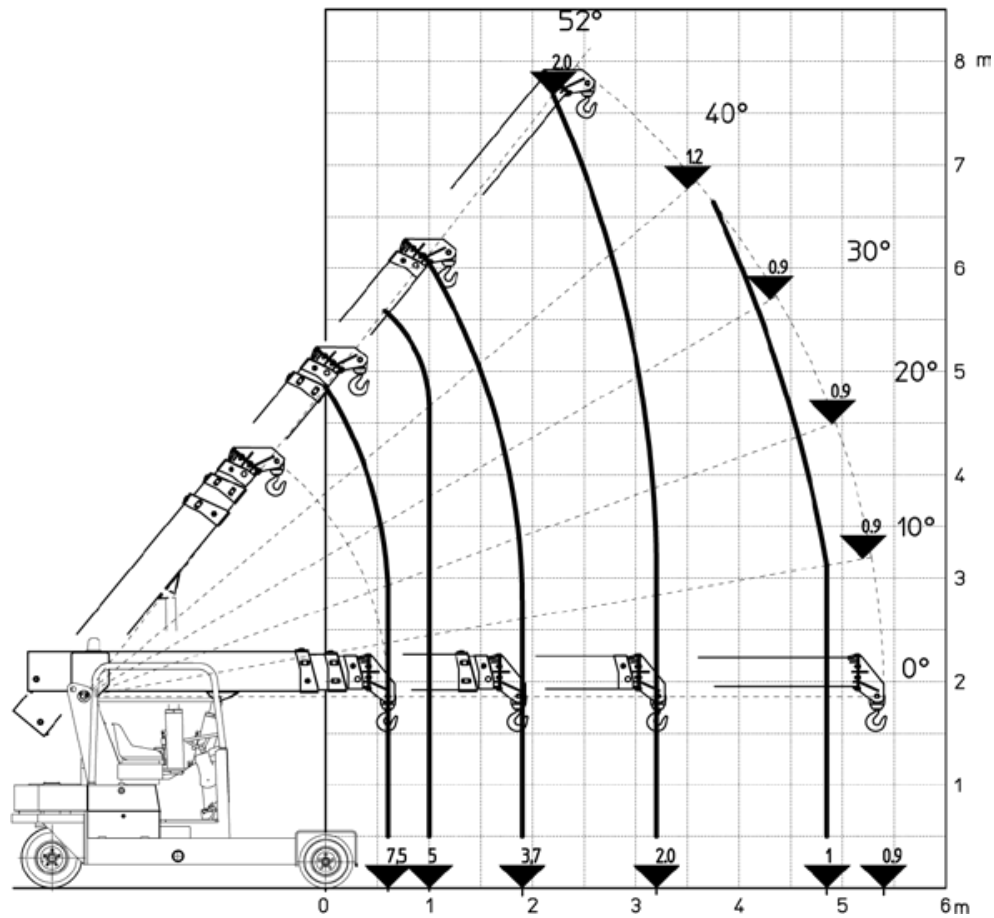
HEIGHT	2.29m (2,290 mm)
LENGTH	3.34m (3,335 mm)
WIDTH	1.74m (1,735 mm)
TURNING RADIUS	3.62m (3,620 mm)
WEIGHT	6.1te (6,100kg)

Valla 75E

7,500 kg Capacity

Electric Pick & Carry Crane

Capacities



MAX CAPACITY	7.5te (7,500 kg)
MAX BOOM EXTENSION	5.4m (5400 mm)
MAX BOOM ANGLE	52°
MIN BOOM ANGLE	-4°
OPTIONAL EXTRAS	Winch

Valla 75E

7,500 kg Capacity

Electric Pick & Carry Crane

Features

MAKE & MODEL	Valla 75E
MAX CAPACITY	7.5te (7,500 kg)
TYPE	Pick and Carry Crane
POWER	Electric
TYRES	Non-marking
OPTIONAL EXTRAS	Winch
CHASSIS	6 wheels structure made in high quality steel, with internal counterweights
FRONT WHEELS	Front: 4no superelastic wheels
REAR WHEEL	Rear: 2no superelastic wheel
TRACTION	Rear traction with electric motor DC 8 Kw
HYDRAULIC SYSTEM	Powered by electric motor DC – 5 kW maximum pressure 190 bar
BRAKES	2no brake discs on front axle and 2no brake shoes on rear axle
STEERING	Rear steering with hydraulic cylinder between chassis and traction group
BOOM CONTROL	By electro-hydraulic joystick inside the cabin
DRIVE CONTROL	By pedals and steering wheel inside the cabin