

Valla 50E

5,000 kg Capacity

Electric Pick & Carry Crane



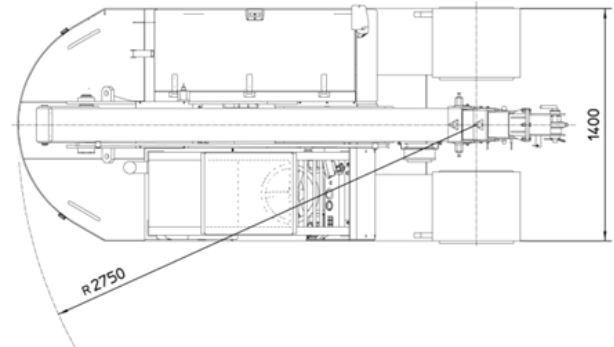
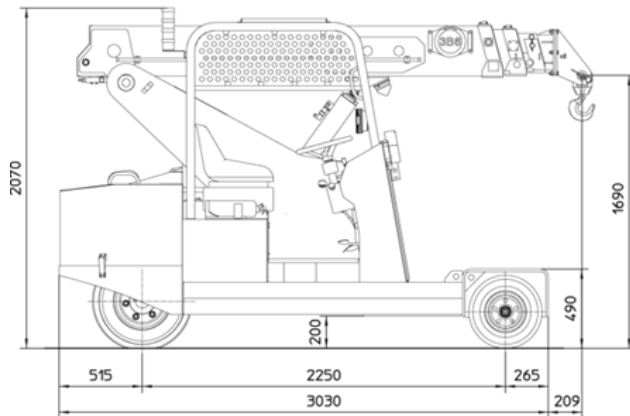
MAKE & MODEL	Valla 50E
MAX CAPACITY	5te (5,000 kg)
TYPE	Pick and Carry Crane
POWER	Electric
TYRES	Non-marking
OPTIONAL EXTRAS	Winch
WEIGHT	5.5te (5,500kg)

Valla 50E

5,000 kg Capacity

Electric Pick & Carry Crane

Dimensions



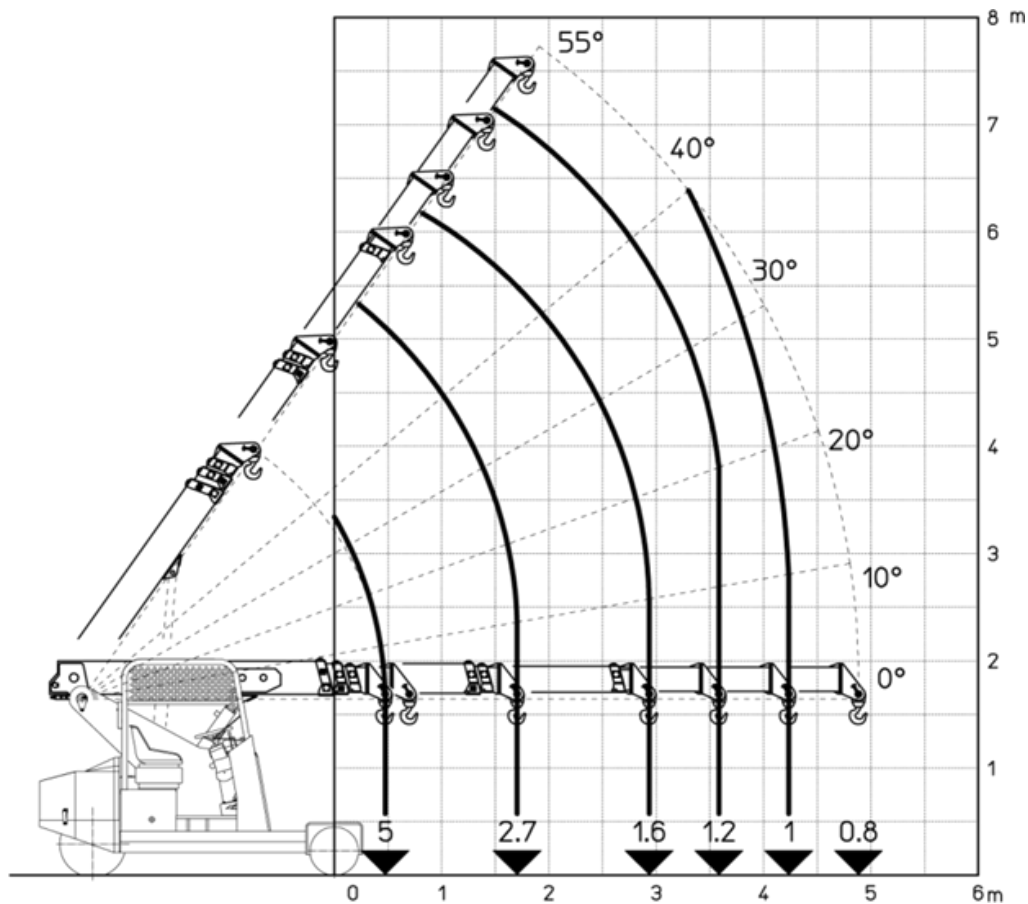
HEIGHT	2.07m (2,070 mm)
LENGTH	3.03m (3,030 mm)
WIDTH	1.40m (1,400 mm)
TURNING RADIUS	2.75m (2,075 mm)
WEIGHT	5.5te (5,500kg)

Valla 50E

5,000 kg Capacity

Electric Pick & Carry Crane

Capacities



MAX CAPACITY	5t (5,000 kg)
MAX BOOM EXTENSION	4.88m (4880 mm)
MAX BOOM ANGLE	55°
MIN BOOM ANGLE	0°
OPTIONAL EXTRAS	Winch

Valla 50E

5,000 kg Capacity

Electric Pick & Carry Crane

Features

MAKE & MODEL	Valla 50E
MAX CAPACITY	5te (5,000 kg)
TYPE	Pick and Carry Crane
POWER	Electric
TYRES	Non-marking
OPTIONAL EXTRAS	Winch
CHASSIS	5 wheels structure made in high quality steel, with internal counterweights
FRONT WHEELS	Front: 4no superelastic wheels
REAR WHEEL	Rear: 1no superelastic wheel
TRACTION	Rear traction with electric motor DC 7 Kw
HYDRAULIC SYSTEM	Powered by electric motor DC – 5 kW maximum pressure 210 bar
BRAKES	1no brake shoe on rear wheel
STEERING	Rear steering with 180° rotation for maximum manoeuvrability
BOOM CONTROL	By proportional distributor with levers inside the cabin
DRIVE CONTROL	By pedals and steering wheel inside the cabin