

Valla 120E

12,000 kg Capacity

Electric Pick & Carry Crane



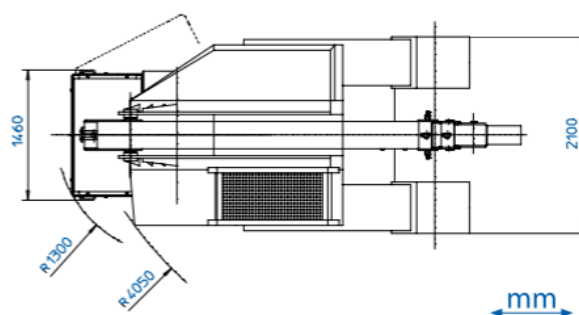
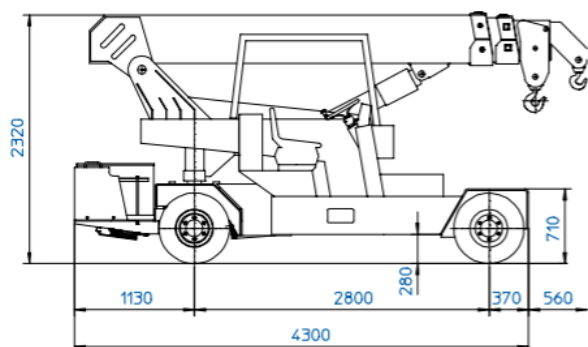
MAKE & MODEL	Valla 120E
MAX CAPACITY	12te (12,000 kg)
TYPE	Pick and Carry Crane
POWER	Electric
TYRES	Non-marking
OPTIONAL EXTRAS	Fly jib
WEIGHT	14.0te (14,000kg)

Valla 120E

12,000 kg Capacity

Electric Pick & Carry Crane

Dimensions



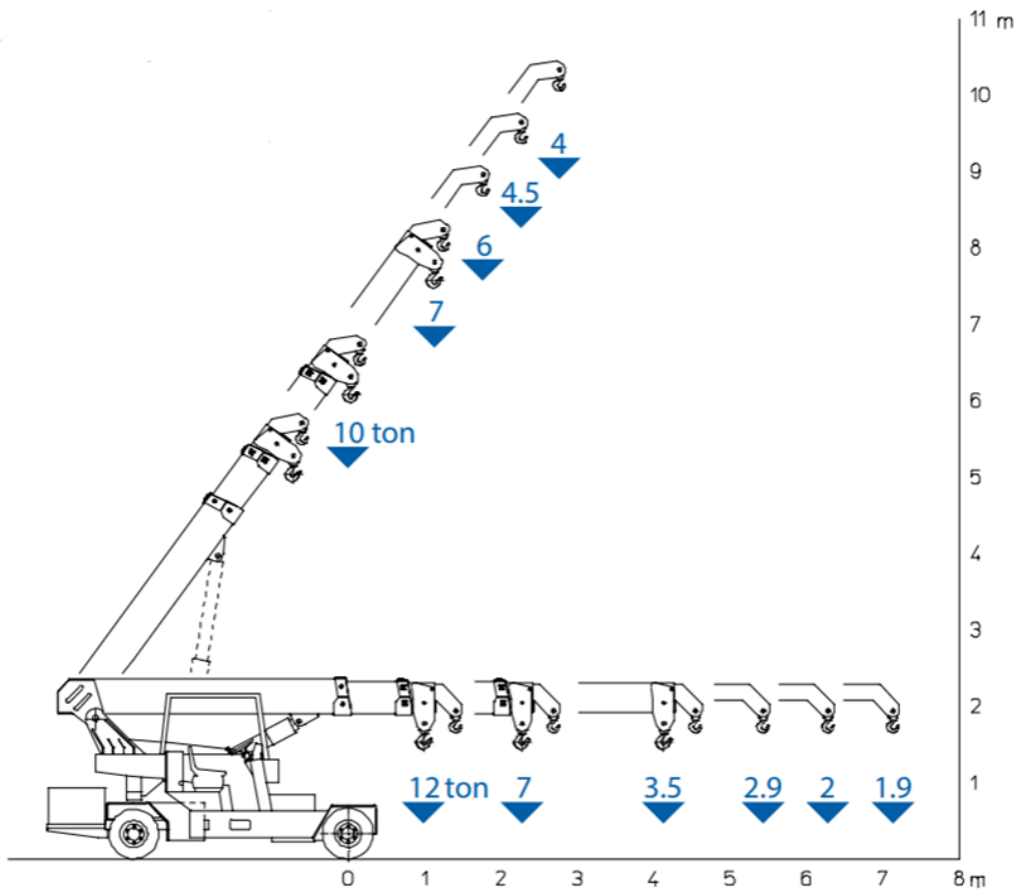
HEIGHT	2.32m (2,320 mm)
LENGTH	4.30m (4,300 mm)
WIDTH	2.10m (2,100 mm)
TURNING RADIUS	4.05m (4,050 mm)
WEIGHT	14.0te (14,000kg)

Valla 120E

12,000 kg Capacity

Electric Pick & Carry Crane

Capacities



MAX CAPACITY	12.0te (12,000 kg)
MAX BOOM EXTENSION	7.2m (7200 mm)
MAX BOOM ANGLE	54°
MIN BOOM ANGLE	0°
OPTIONAL EXTRAS	Fly jib

Valla 120E

12,000 kg Capacity

Electric Pick & Carry Crane

Features

MAKE & MODEL	Valla 120E
MAX CAPACITY	12.0te (12,000 kg)
TYPE	Pick and Carry Crane
POWER	Electric
TYRES	Non-marking
OPTIONAL EXTRAS	Fly jib
CHASSIS	6 wheels structure made in high quality steel, with internal counterweights
FRONT WHEELS	Front: 4no superelastic wheels
REAR WHEEL	Rear: 2no superelastic wheels
TRACTION	Rear traction with electric motor DC 12 Kw
HYDRAULIC SYSTEM	Powered by electric motor DC – 16 kW maximum pressure 220 bar
BRAKES	2no brake drums on front axle and 2no brake drums on rear axle
STEERING	Rear steering by hydraulic motor installed on fifth wheel
BOOM CONTROL	By electro-hydraulic joystick inside the cabin
DRIVE CONTROL	By pedals and steering wheel inside the cabin